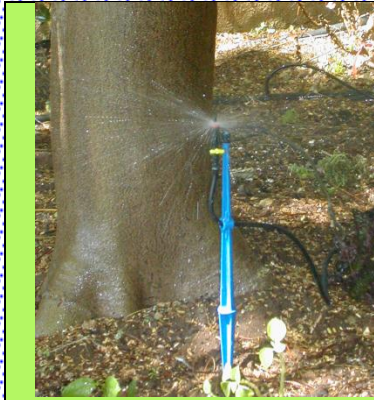


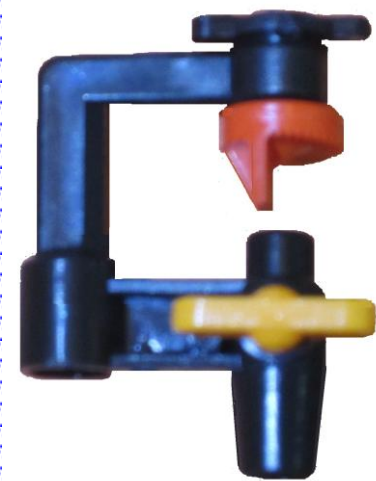
Garden Sprayers - Directional-Pattern and Vibro Spreaders







For circular spraying the Vibro-Spreader on spike is most popular. The pattern of droplets is fine and uniform. More details and specifications in our [Vibro-Spreaders webpage](#).



For directional spraying Static Deflectors in a Clean-Valve Bridge are mostly used. The flow rate is standard in all pattern types - 90 L/H and the wetting range is 1.8m.



	360 ⁰ Deflector
	180 ⁰ Deflector
	90 ⁰ Deflector
	Butterfly Deflector



For more details please visit our website: www.rain-tal.com