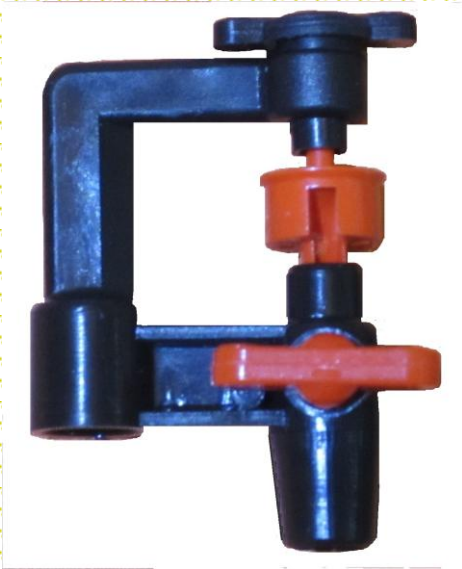
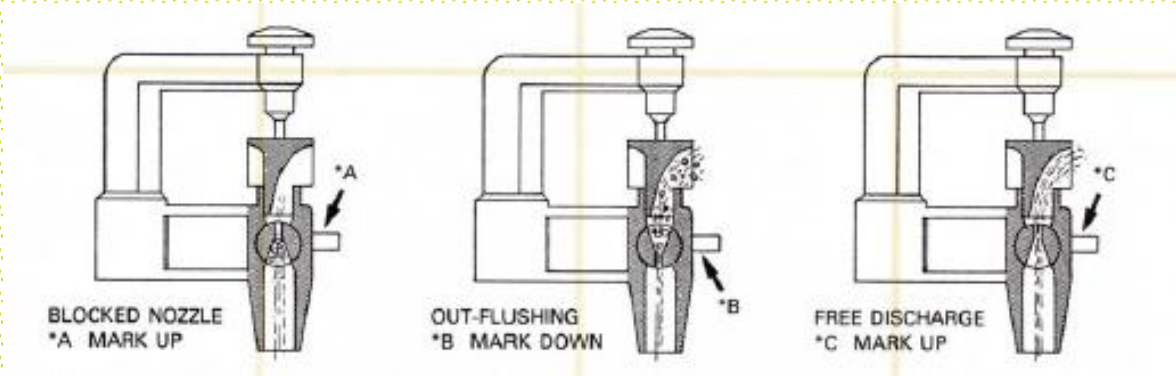


Turbo Sprinkler – Clean Valve



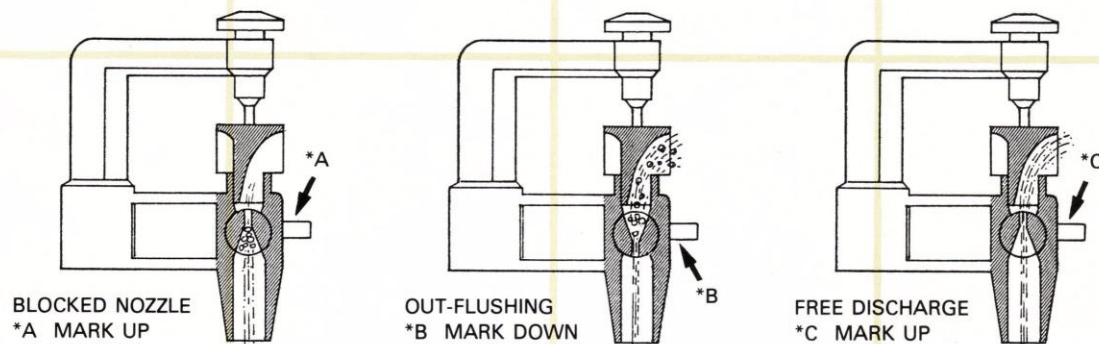
- ❖ Unique and accurate function – No Clogging
- ❖ Perfect cleaning by rotation of nozzle 180° till stopper
- ❖ No need to take apart for cleaning
- ❖ Nozzle can easily be exchanged for any required flow



For more details visit our website: www.rain-tal.com

Turbo Sprinkler/Clean Valve – Technical Description and Watering data

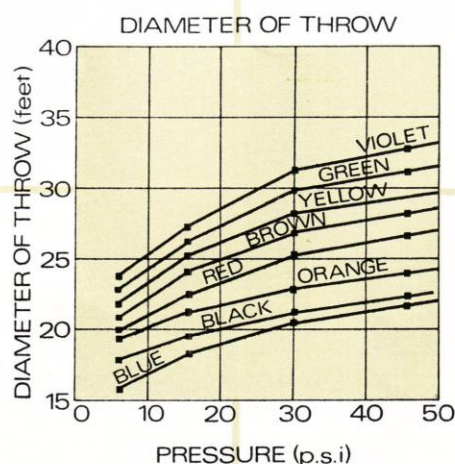
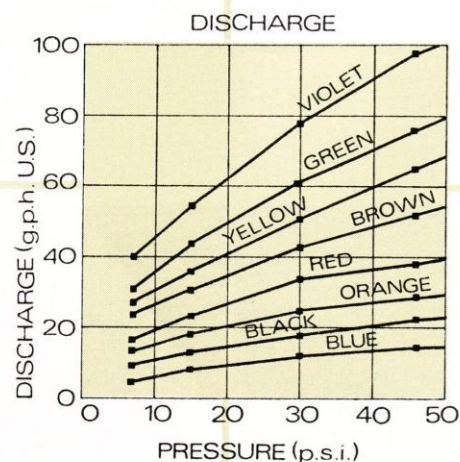
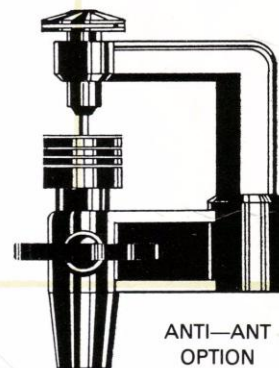
- ★ FOR ACCURATE TROUBLE FREE SPRINKLING.
- ★ SIMPLE OUT-FLUSHING BY A COMPLETE TURN OF THE TRANSVERSAL PIVOT NOZZLE.
- ★ UNIFORMITY OF EQUIPMENT AND STOCKING.
- ★ FOR ANY REQUIRED DISCHARGE A COLOUR CODED TRANSVERSAL NOZZLE IS PLUGGED IN.
- ★ CAN BE USED WITH ALL OTHER EIN-TAL COMPONENTS AND ACCESSORIES.



Available with color coded nozzles from 10 G.P.H. to 80 G.P.H.
Coverage diameter from 18' up to 30'.

NOZZLE COLOR CODE	ORIFICE (INCH)	DISCHARGE at 15 p.s.i. (g.p.h. U.S.)	DIAMETER OF* THROW at 15 p.s.i. (feet)
BLUE	0.035	74	17.8
BLACK	0.046	132	19.8
ORANGE	0.052	172	21.5
RED	0.060	226	24.0
BROWN	0.069	298	24.8
YELLOW	0.077	370	25.0
GREEN	0.084	450	25.0
VIOLET	0.094	555	26.4

* Mounted on 10" stake



For more details visit our website: www.rain-tal.com