



PRODUCTS CATALOG 2018

Product Name	Catalog Number	SPEC	Picture
Vibro-Spreaders, Color code by Flow			
Discharge L/hr, Color	Standard type	LP* type	
	170	171	
20 L/hr, Violet-Blue		01710020	<p>Type 170 Type 171=LP</p> <p>*LP=Low Pressure</p>
35 L/hr, Light Blue		01710035	
50 L/hr, Green-Black		01710050	
60 L/hr, Grey-Black	01700060	01710060	
70 L/hr, Black-Black	01700070	01710070	
90 L/hr, Orange-Black		01710090	
105 L/hr, Blue-Black	01700105		
120 L/hr, Red-Black	01700120	01710120	
160 L/hr, Brown-Black	01700160		
High Rate Vibro-Spreader 240 L/hr available on special order.			
Heavy Duty – High Rate Vibro-Spreader	58706000		
240 L/hr , on threaded socket 1/2"			
Upside-Down Elite Vibro-Spreader			
(Droplet pattern is ejected at 7⁰ elevation)			
UD Elite Vibro-Spreader, 75 L/hr, Olive-Black	01719075		
UD Elite Vibro-Spreader, 50 L/hr, L.Green-Black	01719050		
Dynamic Misters			
(The pictures in UD position, for hanging sets).			
Discharge L/hr, Color			
20 L/hr , Violet (Left Picture)	01720020		<p>20 L/H 40 L/H</p>
40 L/hr, Blue (Right Picture)	01720040		
complete stands Vibro-Spreader - on Spikes			
Consists of: Vibro-Spreader, 40cm Spike, Spike-adapter, 60cm Tube and Barb-socket			
The right hand side stand demonstrates upside-down configuration.			

Product Name	Catalog Number	SPEC	Picture
Hanging sets with UD Vibro-Spreaders / Dynamic Misters			
Complete UD set, including: Elite 50/75L/hr Vibro-Spreader, OR: 20/40 L/hr Dynamic Mister, LPD, 4/7 PVC tube with female socket and male nipple ends and Stabilizer:			
	UD Vibro-Spreader	Dynamic Mister	
UD Set of tube length 30 cm	407930xx	417593xx	
UD Set of tube length 60 cm	407960xx	417596xx	
UD Set of tube length 90 cm	407990xx	417599xx	

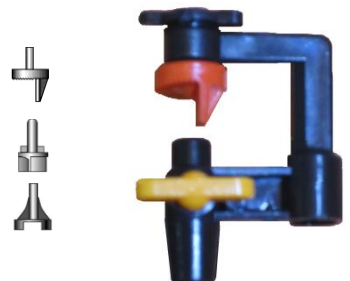
Turbo Sprinklers (Single Bridge), Color Coded Nozzle

40 L/hr – Blue Nozzle	01730040	
50 L/hr – Green Nozzle	01730050	
60 L/hr – Grey Nozzle	01730060	
70 L/hr – Black Nozzle	01730070	
90 L/hr – Orange Nozzle	01730090	
120 L/hr – Red Nozzle	01730120	
160 L/hr – Brown Nozzle	01730160	
200 L/hr – Yellow Nozzle	01730200	

Turbo Sprinklers Clean Valve Nozzle, Color Coded

	UR	UD
25 L/hr – Light Blue Valve	01746025	01749025
40 L/hr – Blue Valve	01746040	01749040
50 L/hr – Green Valve	01746050	01749050
60 L/hr – Grey Valve	01746060	01749060
70 L/hr – Black Valve	01746070	01749070
90 L/hr – Orange Valve	01746090	01749090
120 L/hr – Red Valve	01746120	01749120
160 L/hr – Brown Valve	01746160	01749160
200 L/hr – Yellow Valve	01746200	01749200
240 L/hr – Purple Valve	01746240	01749240

Bridge Sprinkler – Directional Wetting Pattern

Bridge Sprinkler 180 ⁰	01741890	
Bridge Sprinkler 90 ⁰	01741990	
Bridge Sprinkler Butterfly Pattern	01742090	

Directional Spreader clean Valve for Gardening– on 1/2" Threaded Nut

With spreader 180 ⁰	01791890	
With spreader 360 ⁰	01793690	
With spreader 90 ⁰	01799090	

Product Name	Catalog Number	SPEC	Picture
Double Bridge Turbo Sprinklers, Color Coded Nozzle			
	UR	UD	
30 L/hr – Light Blue Nozzle	01756030	01759030	
40 L/hr – Black Nozzle	01756040	01759040	
50 L/hr – Blue Nozzle	01756050	01759050	
65 L/hr – Dark Blue Nozzle	01756065	01759065	
75 L/hr – Green Nozzle	01756075	01759075	
100 L/hr – Red Nozzle	01756100	01759100	
130 L/hr – White Nozzle	01756130	01759130	
175 L/hr – Violet Nozzle	01756175	01759175	
200 L/hr – Yellow Nozzle	01756200	01759200	
250 L/hr – Brown Nozzle	01756250	01759250	
300 L/hr – Orange Nozzle	01756300	01759300	

Turbo Sprinklers - Complete Stand on Spike

The Complete Stands are available for all the flow rates referred to the respective Turbo Sprinklers in the tables above.

Product group 4073: GR-4073
Consists of: Turbo-Sprinkler, 40cm Spike, 60cm PVC tube and Barb Socket

Product group 4074: (left picture) GR-4074
Consists of: Turbo-Sprinkler Clean Valve Nozzle, 40cm Spike, 60cm PVC tube and Barb Socket

Product group 4076: (right picture) GR-4076
Consists of: Double Bridge Turbo-Sprinkler, 40cm Spike, Spike adaptor, 60cm PVC tube and Barb Socket



Hanging Sets –UD Turbo Sprinklers


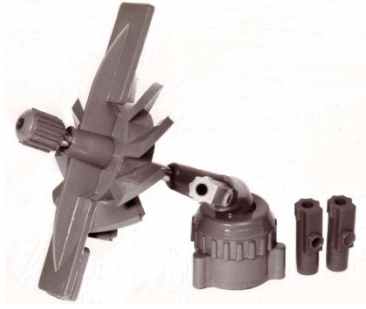



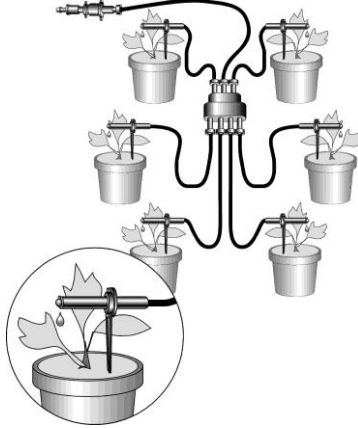
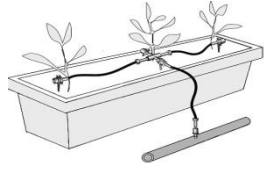
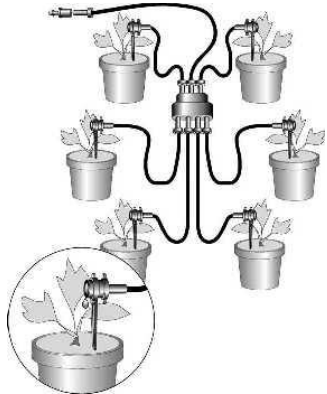



Group 4174: (Left Picture)
Consists of: UD Male-Inlet Turbo Sprinkler / Clean Valve, OEM Anti-Leak, 4/7 PVC tube with female socket / male nipple ends and Stabilizer














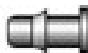











Complete UD set of tube length 30 cm	417493xx
Complete UD set of tube length 60 cm	417496xx
Complete UD set of tube length 90 cm	417499xx

Group 4179: (Right Picture)
Consists of: UD Double Bridge Turbo Sprinkler, OEM Anti-Leak, 4/7 PVC tube with female socket / male nipple ends and Stabilizer






Complete UD set of tube length 30 cm	417993xx
Complete UD set of tube length 60 cm	417996xx
Complete UD set of tube length 90 cm	417999xx



Product Name	Catalog Number	SPEC	Picture
Field Sprinklers Rotor Propelled: Rotor Propelled type 688 field sprinkler, <ul style="list-style-type: none"> • Diameter of throw = 20m • Nozzles Available for discharges of 500L/H, 750L/H, to 2,000L/H • Min. qty. order TBD. 	01680000		
Extra / Substitute Nozzle	00688xxx		
DRIPPERS			
Self Forming (SF), Cleanable Micro-Dripper Consists of tubular female and male labyrinth that can be pulled out easily for cleaning. Black, matches 4mm tube or barb socket.	02924600		
Set of Multi-Outlet SF Micro-Drippers Each set consists of a compensating mother drifter (2 or 4 L/h), mini-manifold, SF Micro-Drippers, 4 mm tubes and snap connectors.			
Set of 4 outlets 60 cm long each	0294060x		
Set of 4 outlets 100 cm long each	0294100x		
Set of 6 outlets 60 cm long each	0296060x		
Set of 6 outlets 100 cm long each	0296100x		
<ul style="list-style-type: none"> ▪ The flow at each end point is the discharge of the mother drifter divided by the number of the set outlets 			
Drip Kit for Window Pots (Incl. Mother Drifter & SF MDs)			
3 SF Drippers for 60cm pot, 1.3 L/H ea.	02970060		
4 SF Drippers for 80cm pot, 1.0 L/H ea.	02970080		
5 SF Drippers for 100cm pot, 0.8 L/H ea.	02970100		
Set of Multi-Outlet Regulated Drippers			
Each set consists of regulated drippers, either 2 L/h or 4 L/h each, mini-manifold, 4 mm tubes and snap connectors.			
Set of 4 outlets 60 cm long each	0295460x		
Set of 4 outlets 100 cm long each	0295499x		
Set of 6 outlets 60 cm long each	0295660x		
Set of 6 outlets 100 cm long each	0295699x		
<ul style="list-style-type: none"> ▪ The flow at each end point is determined by the regulated drifter, 2 L/h or 4 L/h, at this point. 			
Mini – Stick for drippers	02951111		
Mini Manifold Connectors			
Mini Manifold 4 outlets	05500304		
Mini Manifold 6 outlets	05500306		

Product Name	Catalog Number	SPEC	Picture
FLOW REGULATORS			
Vibro Flow Regulators			
12 L/h = Light Blue / 27 L/h = Black	05910012 / 027		
45 L/h = Red	05910045		
Buzzing Drippers			
5 L/h (1.2 GPH) , Blue / Black	02900005		
8 L/h (2 GPH) , Green / Black	02900008		
PRESSURE READING SOCKETS (PRS)			
Threaded 1/8" B.S.P. PRS	07999999		
Threaded 1/4" NF PRS	08999999		
Barb thrust base, 3.5 mm	08999760		
<ul style="list-style-type: none"> For pressure up to 10 bar. Acid Resistant (AR) PRS available on special orders. 			
ACCESSORIES			
Flexible PVC Tubes 4/7 mm			
30 cm long, including 2 end barb nipples	05273011		
60 cm long, including 2 end barb nipples	05276011		
90 cm long, including 2 end barb nipples	05279011		
Barb Nipple for PVC / PE tubes 4/7	05200100		
Double Side Barb Nipple for 4/7 tubes	05101501		
Couplers			
2 way male / male Nipple Coupler	05500200		
3 way F / F "Tee" coupler	05500300		
4 way coupler, 1M /3F	05500301		
End Coupler for 12mm P.E. Tube /F	05500400		
Plunger Sockets			
Barb Sockets			
Barb Socket / Female (3.5 mm)	05100100		
Barb Mini-Socket / Female (2.0 mm)	05101000		
Barb Socket / Male (3.5 mm)	05101100		
Barb Mini-Socket / Male (2.0 mm)	05101001		
Flat Plunger Sockets			
Flat Barb Socket / Female (8 mm)	05101702		
Long Nose Flat Barb Socket / F (8 mm, for thick wall tubes)	05101704		
Threaded Plunger Sockets			
Threaded Socket / Female 1/4" NF	05101200		
Threaded Socket / Male 1/4" NF	05101300		
Threaded Socket / Female 1/8 BSP	05101500		
Threaded Socket / Female 5 mm	05101600		
Adapter 3/8" to 6mm conic male	05100038		

Product Name	Catalog Number	SPEC	Picture
Threaded Nuts (for Raisers or Taps)			
Threaded Nut – 1/2 Female	05801200		
Threaded Nut – 3/4" Female	05803400		
Threaded Head for Spike			
Threaded Head, 1/2" Male with bottom Female Socket for Plunger / Nipple	05400300		
Snap-in Nipples			
Used to connect Multi-Outlet drippers to Manifold, by 4 mm tubes			
Snap-in Nipple – Male (left picture)	05500408		 
Snap-in Nipple – Female (right picture)	05500407		
Adapters and Couplers			
F / F adapter for Nipples & Male Plungers	05400805		 
F/F Coupler for Spike (8 mm)	05400804		
F/F Coupler for Iron Rod (4 mm)	05400402		 
F/M Coupler for 8mm Spike and 5mm Iron Rod	05400085		
Dan Adapter, F/F 6mm conical to 7.5mm	05400906		
Plugs			
Male Plug (left picture)	05500100		 
Female Plug (right picture)	05500101		
Valves: Mini-Valve: 6mm conical M/F			
Orifice: 90 L/H (Orange, for gardening)	06100010		 
Orifice: 200 L/H (Yellow, for agriculture)			
Spikes			
Ein-Tal Standard : 40cm / 16" Spike	04402000		
Other size spikes available on special order			
Spike extension rod: 12cm long, 8mm F/M (A couple can be added in line)	04402010		
TOOLS (OEM)			
Puncturer 3.5 mm (for Barb Socket)	08101514		   
Puncturer 2.0 mm (for Barb Mini-Socket)	08101504		
Tool for Inserting Barb Nipple into tubes	08103000		
Inserting Tool for Dynamic Mister	08103003		
Ein-Tal U Key Extractor	08300300		

Product Name	Catalog Number	SPEC	Picture
WATER FILTERS			
All our Filters are made with unique Super Disks available in mesh grades as in the table below:			
SDF Regenerative Semi-Automatic Rotary Filters			
DF-1: 1" SDF Semiautomatic Rotary	091		
DF-1T: 1" SDF-T Semiautomatic Rotary	093		
DF-2: 2" SDF Semiautomatic Rotary	092		

Dismantling Plastic Disk Filters – Only by special orders, Min. Qty

2" Dismantling Disk Filter	08999112-5
3" Dismantling Disk Filter	08999116-9

Open Filters




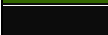








Open Gravity Filter 2" for MD system	06151240
Open Filter (4" Disks) to protect Pump	06151250

SDF Stacks – Elements for Metal Filters

EL-2: 2" Element, length = 250 mm	0612
Double 2" Element, 2X250 mm, for 2" and for 3" Filters	0613
EL-4: 4" Element, length = 500 mm	0614

Super Disks for self assembly in irrigation filters

2" Super disk, mesh grade by color code per table below: (HM=high mesh, 750 & up)	0692-LM
	0692-HM

COLOR	SPACING IN MICRON	Corresponds to Mesh grade	Group	Suitability Application
Light Green		5	Fine (HM)	Home/Drinking Home/Swimming Pools Industrial Applications
Pink		10		
Dark Green		20		
Black		50	Regular (LM)	Drippers Sprayers Mini Sprinklers
Brown		75		
Red		100		
Blue		125		
Green		150		
Grey		175	Coarse (LM)	Pre-Filtration Garden Applications Sewage treatment
Light Blue		200		
Yellow		300		
Olive		500		

* Min. order 9,000 disks of any mesh grade. Packaging: 3,000 per carton.