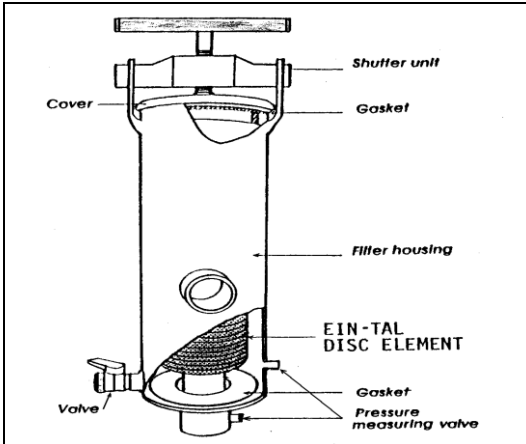


SDF Filter Elements for Metal Canisters

Our disk stacks produced for existing filter cases, "SDF™ Elements", are custom made for variety of flow rates and in any mesh grades. The main advantage of SDF is its easy cleaning: the dirt is washed out of the labyrinth easily whereas other types of disks or screen filters requires brushing for cleaning.

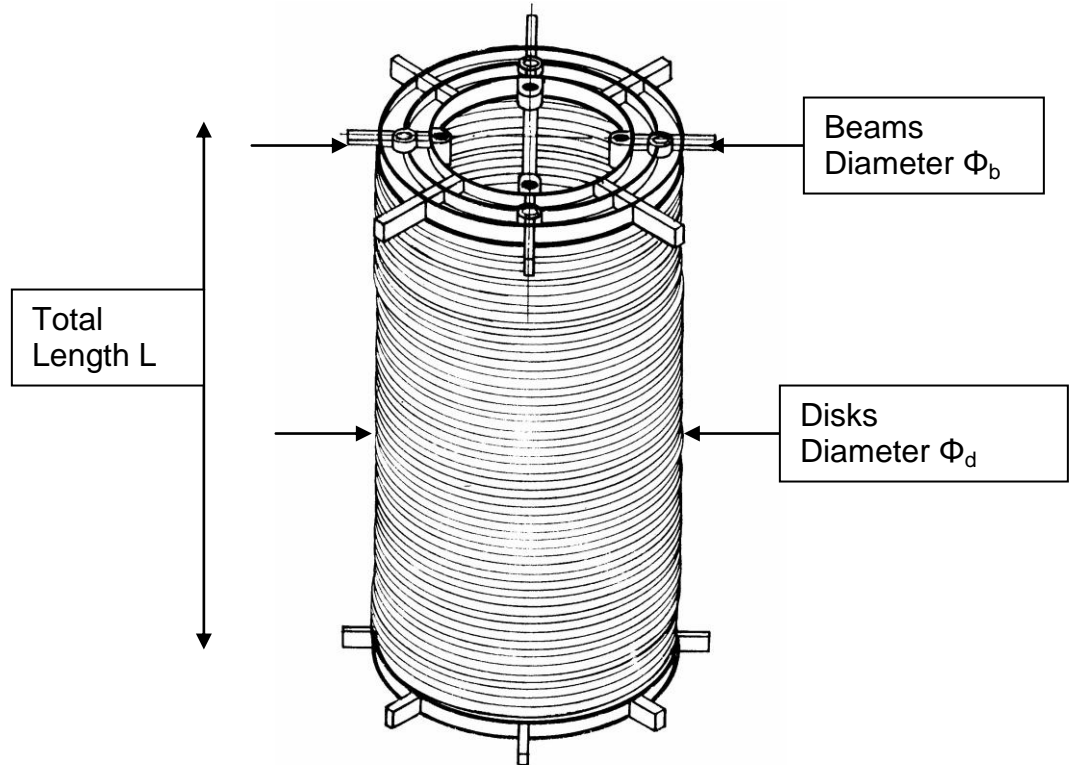


The most popular SDF Elements are for 2" and 4" filters, normally welded from segments of 6" and 8" metal pipes. A general layout and pictures of typical metal canisters are shown below.



Dimensions of 2" and 4" SDF Elements and more related data are provided next page.

DIMENSIONS of 2" and 4" SDF Elements



| # | <u>Product Description</u> | Cat. No. | Φ_b mm | Φ_d mm | L mm |
|---|----------------------------------|------------|-------------|-------------|------|
| 1 | 2" Element | Group 0621 | 160 | 122 | 250 |
| 2 | Double 2" Element for 3" Filters | Group 0622 | 160 | 122 | 500 |
| 3 | 4" Element | Group 0640 | 204 | 158 | 600 |

Mesh grades normally available for agriculture applications are 150 (red disks, 100 microns) and 120 (Blue disks, 125 microns). Other mesh grades may be supplied on special orders.

For more information please review the filters webpages in our website:
www.rain-tal.com.